

Bringing Motion To Your World



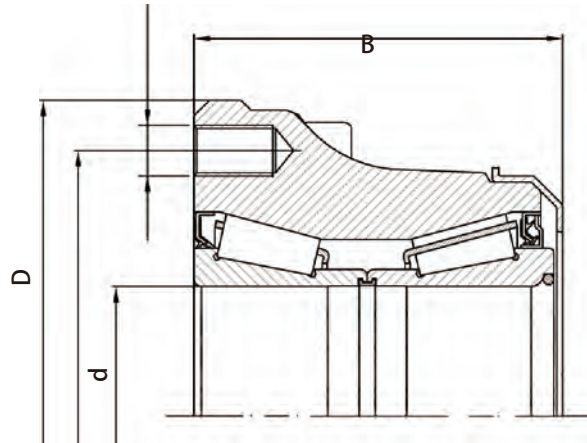
Compact Tapered Roller Bearing Unit

For Truck and Trailer

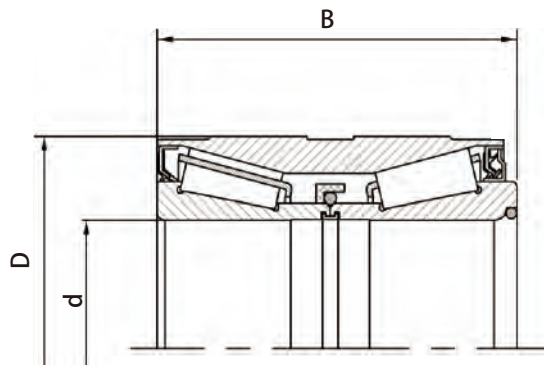
Compact Tapered Roller Bearing Unit

The Feature:

- Consisting of fewer parts, which are facile for assembly.
- Pre-adjusting the bearing clearance.
- Less maintenance required integrated design.
- New generation wheel bearing for truck and trailer.



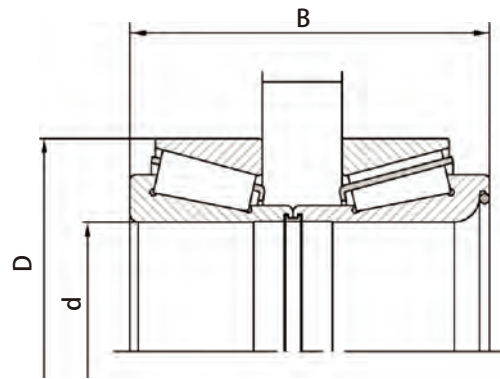
Part No.	OEM	SKF No.	Other No.	Dimensions(mm) dxDxB	Wheel	Application
BTF 0021A	81934200288	VKBA 5377	801974AEH195	70x196x132	Front	MAN, IVECO
BTF 0056EB	03434365000	VKBA 5549	564734H195	82x195x113.3	Rear	SAF
BTF068	805165A	VKBA5407	805531/805532	60x168x102		RVI



Part No.	OEM	SKF No.	Other No.	Dimensions(mm) dxDxB	Wheel	Application
BTH 0018A	1476945 1439070	VKBA 5314	201037 F 15097	68x127/132x115	Front	SCANIA
BTH 0022A	149819305	VKBA 5552	805003A.H195	82x140x115	Rear	Mercedes-Benz
BTH 0025	7183074 7183075 1905487	VKBA 5397	201059	90x160x125	Rear	IVECO EUROTECH IRISBUS
803194A			9753300425	78x130x90		MERCEDES ATEGO/VOLVO

* More information, please contact us at: info@kml-bearing.com

Compact Tapered Roller Bearing Unit



Part No.	OEM	SKF No.	Other No.	Dimensions(mm) dxDxB	Wheel	Application
581079	20967831		566426H195	68.2x125x115	Front	VOLVO;DAW00;BENZ
800792	20792439 21036050 1075408		80792A&C	93.8x148x135	Rear	VOLVO
803904	03434301200		503809	120x175x123	Rear	SAF
805479/805415A 805415A	3307303000			82x138x110	Rear	SAF
805958			566864.H195	70x124.7x61	Front	DAF
805208			566283.H195	100x148x67.5	Rear	DAF
803750B	81934200320	VKBA5408		105x160x140	Rear	MERCEDES VOLVO
800308	4200101500			82x138x110		SAF wheel bearing kit
805165	20967830 20518610		566427.H195	58x110x57.50	Rear	VOLVO
800792WC	20792439 20967828 21036050		566425.H195	93.75x148x135.50	Front	VOLVO
804162A	81934200346	VKBA5416		110x170x140		MAN F2000,TGA